



UNIQUE STAIRS

by

Klopping TSS Limited

Under Stairs Storage Enquiry Template

CONTACT DETAILS

Name _____

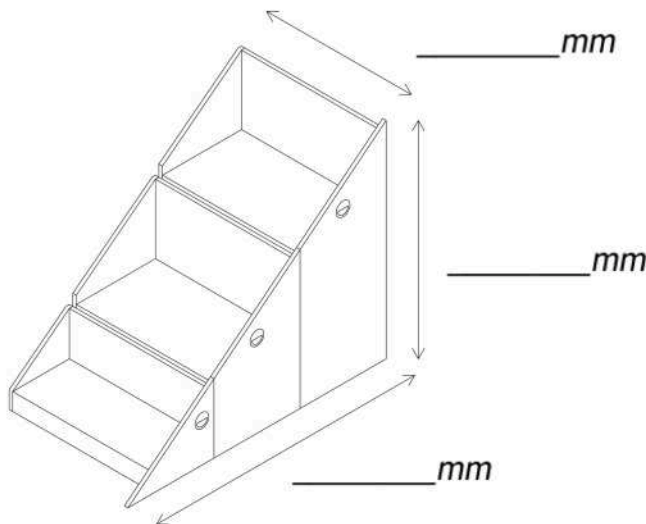
Site Address _____

Postcode _____

Phone _____ Email Address _____

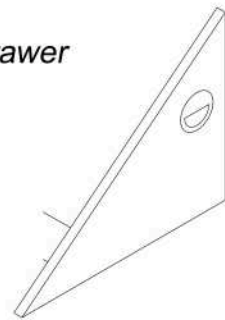
STORAGE DIMENSIONS

Number Of Drawers _____

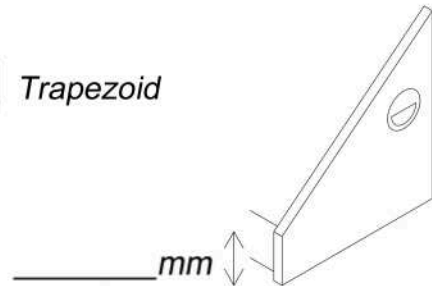


Shape of Lower Drawer

Triangular



Trapezoid



DRAWER FRONT FINISH

TIMBER SELECTION

- Beech
- Oak
- Walnut
- _____

TIMBER FINISH

- Clear Lacquered (Standard)
- Oiled
- Colour Lacquered RAL _____
- _____

DRAWER CONTENTS

- Shelves (Standard)
- Shoe Racks
- Coat Racks
- _____

Completed forms can be sent via email, fax or post. In addition to this form, please provide site photos, images or drawings if they are available.

POST TO:

Klopping TSS Limited
17 Teasel Road
Wolverhampton
WV11 3UB

FAX TO:

01902 633939

PHONE:

01902 633939
07951 473248

E-MAIL TO:

enquiries@kloppingtss.co.uk

WEBSITE:

www.kloppingtss.co.uk