



UNIQUE STAIRS

by

Klopping TSS Limited

Under Stairs Storage Enquiry Template

CONTACT DETAILS

Name _____

Site Address _____

Postcode _____

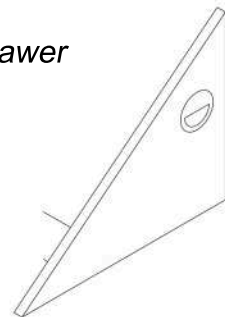
Phone _____ Email Address _____

STORAGE DIMENSIONS

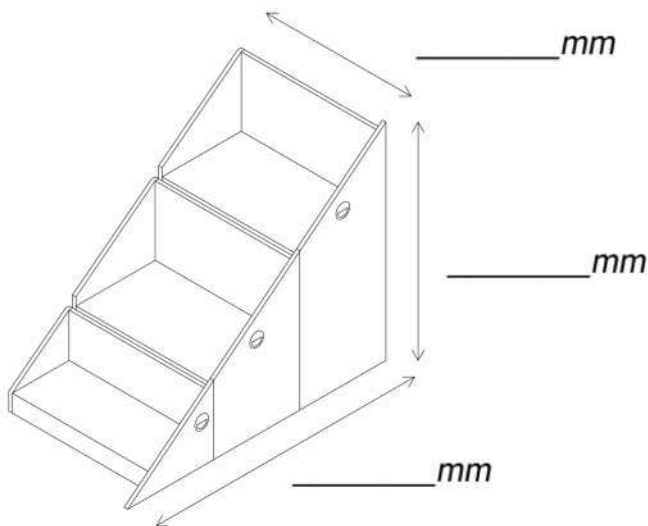
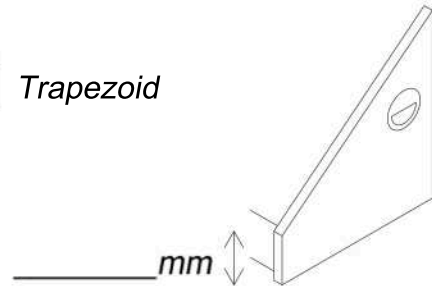
Number Of Drawers _____

Shape of Lower Drawer

Triangular



Trapezoid



DRAWER FRONT FINISH

TIMBER SELECTION

Beech

Oak

Walnut

TIMBER FINISH

Clear Lacquered (Standard)

Oiled

Colour Lacquered RAL _____

DRAWER CONTENTS

Shelves (Standard)

Shoe Racks

Coat Racks

Completed forms can be sent via email, fax or post. In addition to this form, please provide site photos, images or drawings if they are available.

POST TO:

Klopping TSS Limited
Unit 2, Palace Industrial Estate
Bircholt Road, Maidstone
ME15 9XU

PHONE:

01622 541077
07951 473248

E-MAIL TO:

enquiries@kloppingtss.co.uk

WEBSITE:

www.kloppingtss.co.uk